

SMARTBOX[®] MOUNTING BRACKET INSTALLATION INSTRUCTIONS

John Deere[™] 3 Bushel Front Mount Bracket

Bracket Kit Part No. SB010795

Always use and follow planter manufacturers owner's manual recommended safety guidelines.

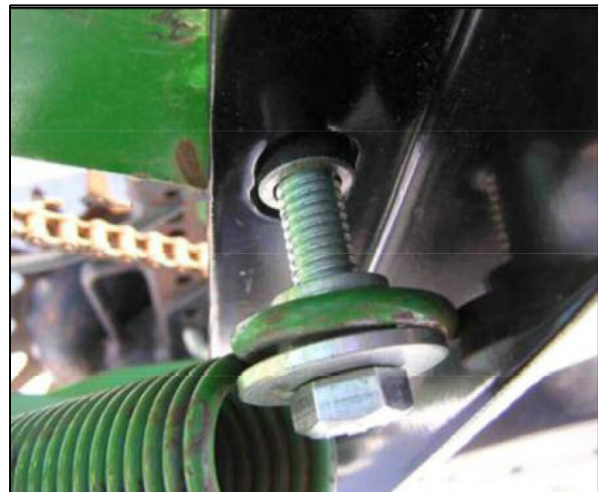
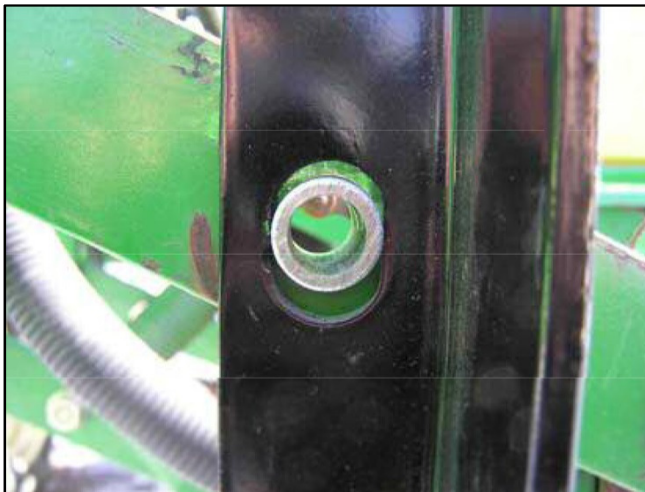
Prior to installation, unfold planter and leave the planter row units in the raised position.

See the attached Drawing No. SB010795, the AMVAC SmartBox System Parts and Operator's Manual and www.amvacsmartbox.com (About SmartBox, then Videos) website for additional installation information.

Note: The front mount bracket will mount using existing holes in the parallel arms closest to the row unit.



- A. First, locate the four holes for mounting, and then remove the bolts mounting the down pressure springs (if equipped). Using the bushings and new hardware provided, re-attach the down pressure spring (if equipped) and the mounting bracket to the parallel arms, making sure to have the mounting brackets open section (top) facing forward toward the front of the planter. Tighten all four bolts so the bracket is secure to the row unit.



- B. Install the SmartBox[®] cradle to the newly installed bracket. The two formed edges will slide under the rear side of the bracket. Use two bolts, washers and nuts provided in the row unit hardware to secure the cradle to the bracket. Tighten both bolts to secure.

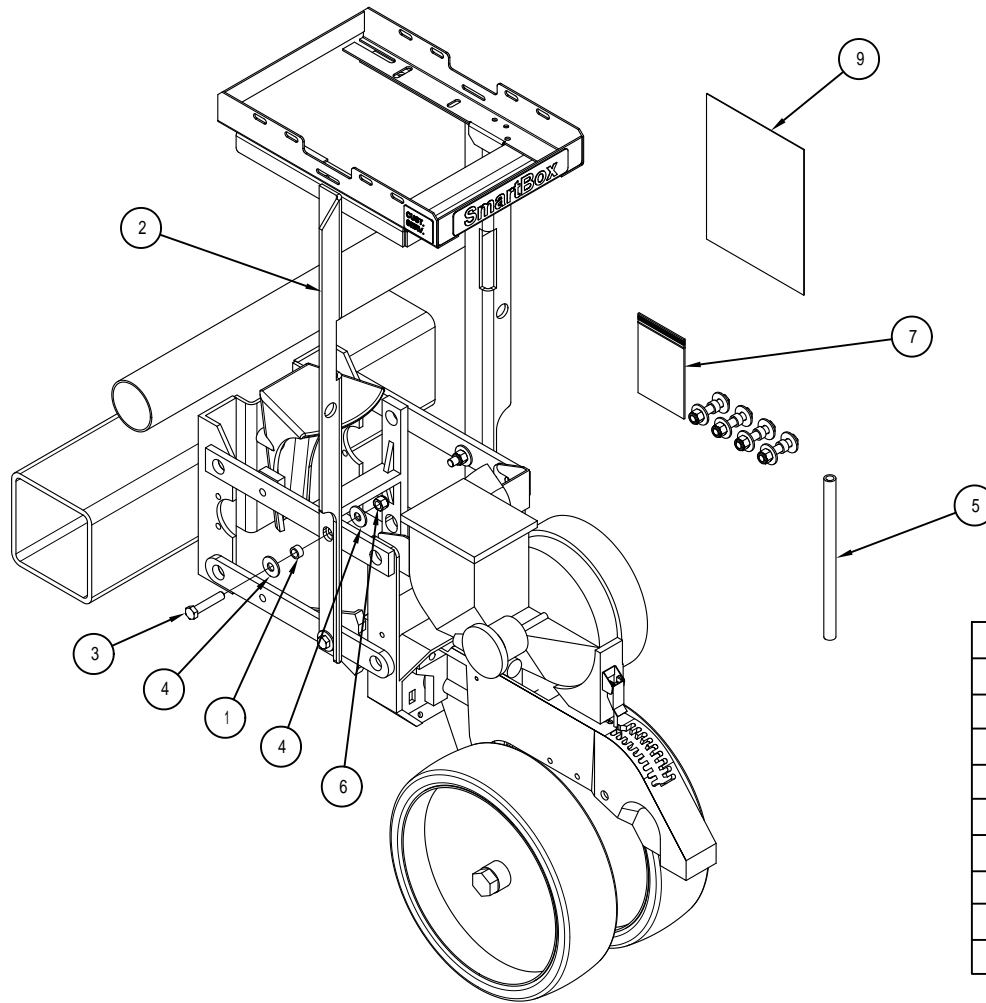


- C. The SmartBox[®] base container (with meter installed on base container) can now be installed.

Note: Meter attachment to the base container for the front mount will need to be secured at a 90° angle so the meter nipple delivering product faces the row it is feeding. See the meter installation instructions for proper installation.



REVISIONS				
REV	DATE	DESCRIPTION	BY	ECO
A	2/20/13	ADD DRAWING	ATM	



ITEM NO.	QTY.	PART NUMBER	DESCRIPTION
	1	WF-2013-05	LIT; JD FRNT MNT BRCKT INSTRUC
X	8	SBCA001	ASSY; CRADLE COMPLETE
	1	SBBOP7	PARTS BAG - BOLT BAG MNT BRKTS
X	6	LN-050-NI	LOCKNUT, NYLON INSERT; 1/2", GR5
	6 FT	K3150-050	HOSE; 1/2" ID, VINYL REINF. CLR
X	4	FW-050	WASHER, FLAT; 1/2"
X	3	BH-050-250-5	BOLT; 1/2" X 2-1/2" GR 5
	1	010526	WLDMT; JD 3 BSHL. FNT MT ADAPT
X	1	010512	TUBE; BUSHING / COLLAR

NOTES:
X = ITEMS INCLUDED IN PARTS BAG SUBASSEMBLY.

MATERIAL: Material -not specified		APPROX. WEIGHT: 182.95LBS	
DIMENSIONS ARE IN INCHES		THE INFORMATION CONTAINED IN THIS DRAWING IS THE PROPERTY OF AMVAC CHEMICAL CORP. THIS DRAWING MAY NOT BE USED FOR MANUFACTURING WITHOUT THE WRITTEN PERMISSION OF AMVAC CHEMICAL CORP.	
TOLERANCES (EXCEPT AS NOTED)			
2 PLACE DECIMALS ± .06			
3 PLACE DECIMALS ± .030			
ANGLES ± 1°		DESCRIPTION: KIT; JD 3 BUSHEL FRNT MT BRKT	
THIRD ANGLE PROJECTION		DWG NO. SB010795	
DRAWN ATM	SIZE B	DATE 11/20/12	SCALE 1:1
		SHEET 1 OF 1	