

SMARTBOX[®] MOUNTING BRACKET INSTALLATION INSTRUCTIONS

John Deere[™] Short Front Mount Bracket (fits CCS planters)

Bracket Kit Part No. SB020266

Always use and follow planter manufacturers owner's manual recommended safety guidelines.

Prior to installation, unfold planter and leave the planter row units in the raised position.

See the attached Drawing No. SB020266, the AMVAC SmartBox System Parts and Operator's Manual and www.amvacsmartbox.com (About SmartBox, then Videos) website for additional installation information.

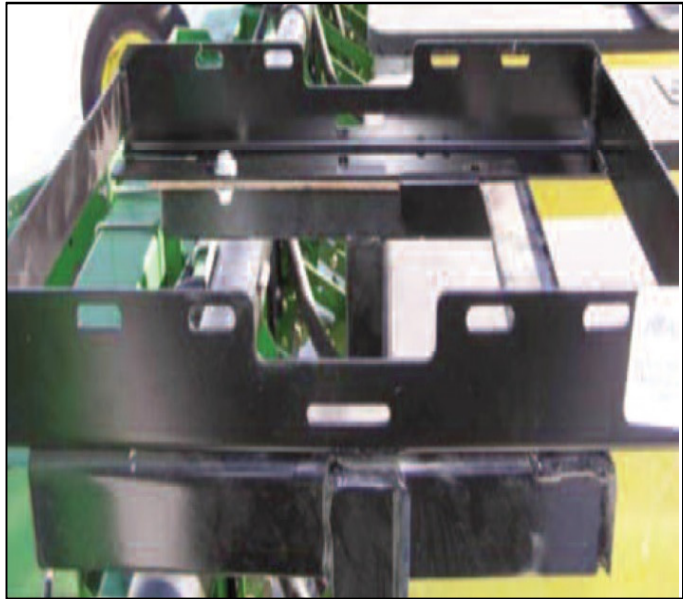
Note: The front mount bracket will mount using existing holes in the parallel arms closest to the row unit.



- A. First, locate the four holes for mounting, and then remove the bolts mounting the down pressure springs (if equipped). Using the bushings and new hardware provided, re-attach the down pressure spring (if equipped) and the mounting bracket to the parallel arms, making sure to have the mounting brackets open section (top) facing forward toward the front of the planter. Tighten all four bolts so the bracket is secure to the row unit.



- B. Install the SmartBox[®] cradle to the newly installed bracket. The two formed edges will slide under the rear side of the bracket. Use two bolts, washers and nuts provided in the row unit hardware to secure the cradle to the bracket. Tighten both bolts to secure.



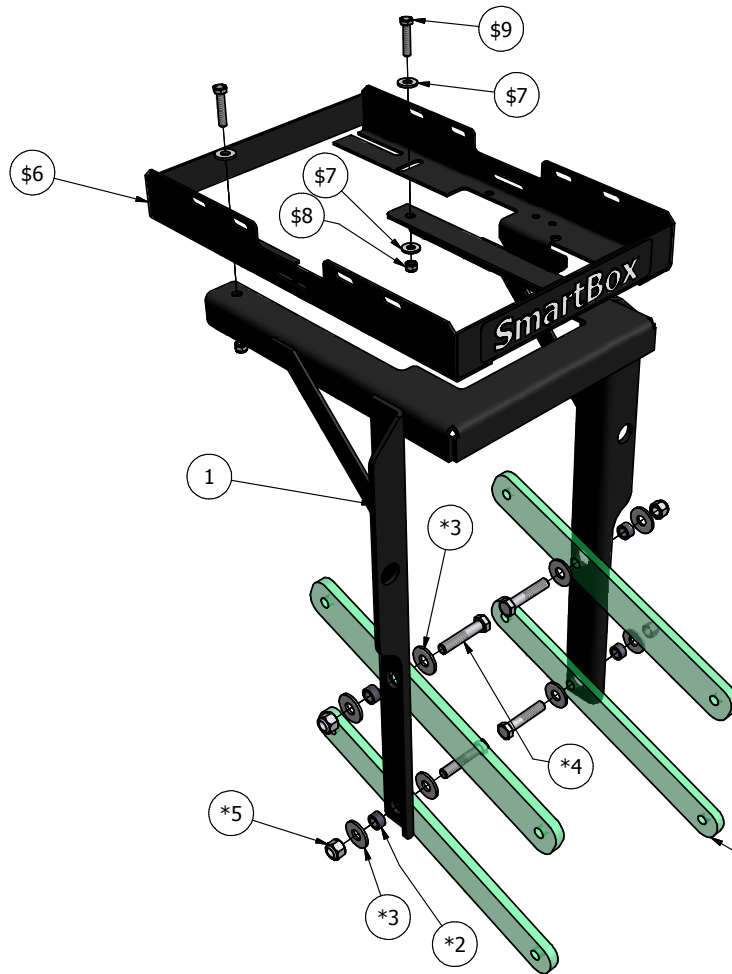
- C. The SmartBox[®] base container (with meter installed on base container) can now be installed.

Note: Meter attachment to the base container for the front mount will need to be secured at a 90° angle so the meter nipple delivering product faces the row it is feeding. See the meter installation instructions for proper installation.



REVISION HISTORY				
REV	DATE	DESCRIPTION	BY	ECO#
1	1/11/11	RELEASE TO PROTO	JJA	-
A	2/24/11	RELEASE TO PRODUCTION	JJA	7351


Parts List			
ITEM	QTY	PART NO.	DESCRIPTION
1	1	SB020269	WLDMT; JD CCS FM BRACKET, STD
*2	4	010512	TUBE; BUSHING COLLAR, SB FRNT MT
*3	8	FW-050	FLATWASHER; 1/2 - 28 PER #
*4	4	BH-050-250-5	BOLT; 1/2 X 2 1/2 GRADE 5
*5	4	LN-050-NI	LOCKNUT; 1/2" NYLON INSERT
\$6	1	SBCA001	ASSY; SMARTBOX BASE CONT CRADLE
\$7	4	FW-031	WASHER, FLAT, 5/16
\$8	2	LN-031-NI	LOCKNUT; 5/16" NYLON INSERT
\$9	2	BH-031-150-5	BOLT; 5/16 X 1.50 GRADE 5



* = ITEMS INCLUDED IN PARTS BAG (BOLT KIT, BOLT BAG MOUNTING BRACKET) PART NUMBER SBBOP7

\$ = ITEM INCLUDED IN SMARTBOX ROW UNIT BASE CONTAINER KIT

ROW UNIT PARALLEL ARM TO BE LOCATED BETWEEN FLATWASHER AND FRAME MOUNT (SB020269)

TOLERANCES (EXCEPT AS NOTED) 2 PLACE DECIMALS ± .06 3 PLACE DECIMALS ± .030 ANGLES ± 1'		THE INFORMATION CONTAINED IN THIS DRAWING IS THE PROPERTY OF AMVAC CHEMICAL CORP. THIS DRAWING MAY NOT BE USED FOR MANUFACTURING WITHOUT THE WRITTEN PERMISSION OF AMVAC CHEMICAL CORP.	
 AMVAC CHEMICAL CORPORATION		DESCRIPTION KIT; JD CENTRAL FILL, FM BRKT STD	
		DWG NO SB020266 REV A	
DRAWN JJA	SIZE B	DATE 1/11/2011	SCALE N/A SHEET 1 OF 1