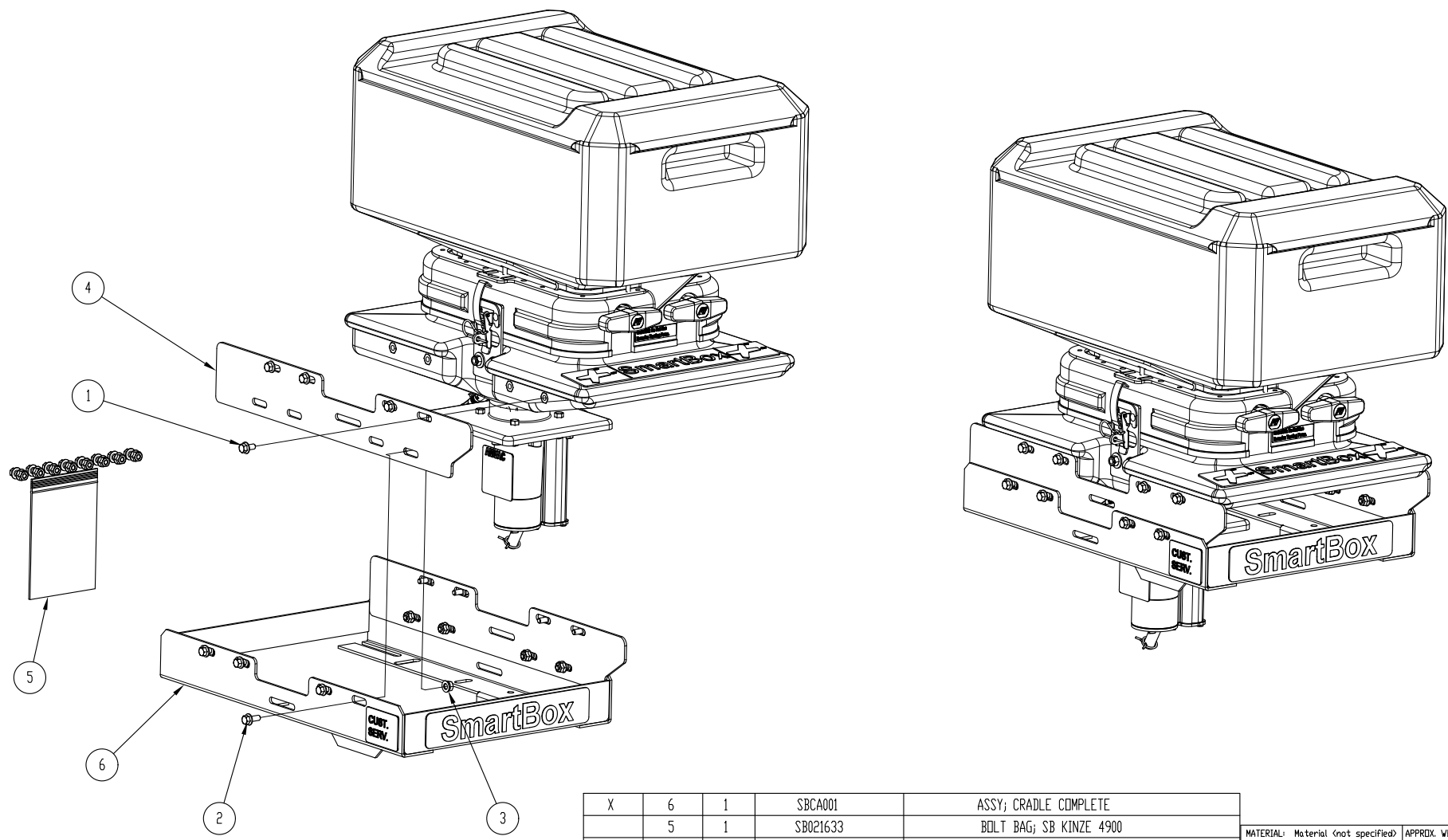


8 7 6 5 4 3 2 1

REVISIONS				
REV	DATE	DESCRIPTION	BY	ECD
A	10/30/13	RELEASE TO PRODUCTION	ATM	7664



X	6	1	SBCA001	ASSY; CRADLE COMPLETE
	5	1	SB021633	BOLT BAG; SB KINZE 4900
	4	2	SB021631	PLT; SB KINZE 4900
X	3	8	NTF-025-TL-8	NUT, FLANGE; 1/4", TOP LOCK, GR8
X	2	8	BHF-025-062-5	BOLT, FLG; 1/4"x5/8" GR 5
X	1	8	BHF-025-050-5	BOLT, FLG; 1/4"x1/2" GR 5
NOTE:	ITEM NO.	QTY.	PART NUMBER	DESCRIPTION

MATERIAL: Material (not specified) APPROX. WEIGHT: 25.73LBS

DIMENSIONS ARE IN INCHES

TOLERANCES (EXCEPT AS NOTED)

2 PLACE DECIMALS ± .06

3 PLACE DECIMALS ± .030

ANGLES ± 1°

THIRD ANGLE PROJECTION

DESCRIPTION: ASSY; SB KINZE EARLY 4900 BRK

DWG NO: SB021640

REV: A

DRAWN: ATM

SIZE: B

DATE: 10/26/13

SCALE: N/A

SHEET 1 OF 1

NOTES:  
X = ITEMS INCLUDED IN PARTS BAG SUBASSEMBLY, OR DIFFERENT LINE ITEM.

8 7 6 5 4 3 2 1