

Diffuser Spring Installation Instructions

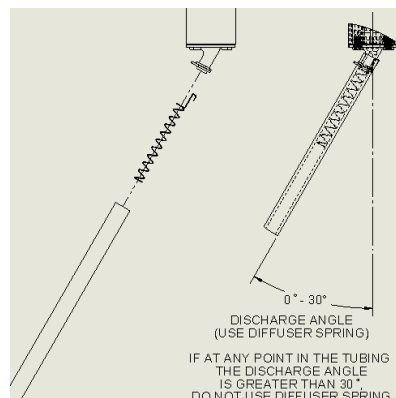


The following steps will guide you through the installation process of the SmartBox[®] diffuser spring.

Caution: Always wear protective clothing, respirator and gloves when handling chemicals or equipment that has been exposed to chemicals.

Note: Do not use diffuser spring if at any point the tubing angle is greater than 30° (see drawing at right), as flow issues can occur.

- Step 1:** Remove the hose clamps and hose from meter spout.
- Step 2:** Install the diffuser into the hose as shown. Make certain the diffuser end is hooked over the edge of the hose.
- Step 3:** Reinstall the hose to the meter spout.
- Step 4:** Reinstall the clamp that holds the hose to the meter spout.



WF-2014-13

Diffuser Spring Installation Instructions

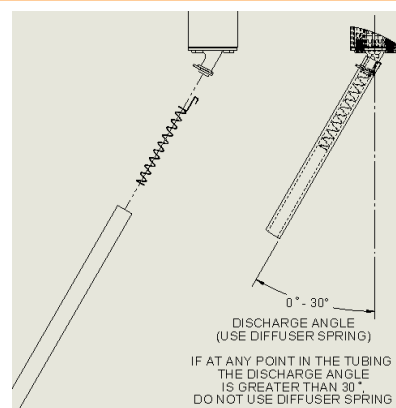


The following steps will guide you through the installation process of the SmartBox[®] diffuser spring.

Caution: Always wear protective clothing, respirator and gloves when handling chemicals or equipment that has been exposed to chemicals.

Note: Do not use diffuser spring if at any point the tubing angle is greater than 30° (see drawing at right), as flow issues can occur.

- Step 1:** Remove the hose clamps and hose from meter spout.
- Step 2:** Install the diffuser into the hose as shown. Make certain the diffuser end is hooked over the edge of the hose.
- Step 3:** Reinstall the hose to the meter spout.
- Step 4:** Reinstall the clamp that holds the hose to the meter spout.



WF-2014-13

Diffuser Spring Installation Instructions

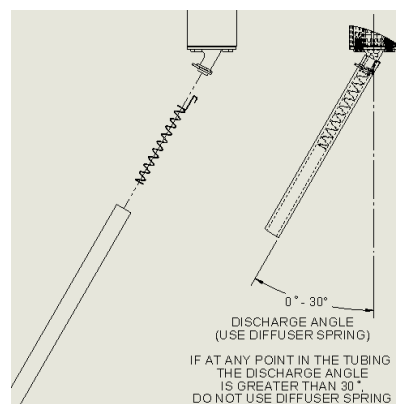


The following steps will guide you through the installation process of the SmartBox[®] diffuser spring.

Caution: Always wear protective clothing, respirator and gloves when handling chemicals or equipment that has been exposed to chemicals.

Note: Do not use diffuser spring if at any point the tubing angle is greater than 30° (see drawing at right), as flow issues can occur.

- Step 1:** Remove the hose clamps and hose from meter spout.
- Step 2:** Install the diffuser into the hose as shown. Make certain the diffuser end is hooked over the edge of the hose.
- Step 3:** Reinstall the hose to the meter spout.
- Step 4:** Reinstall the clamp that holds the hose to the meter spout.



WF-2014-13